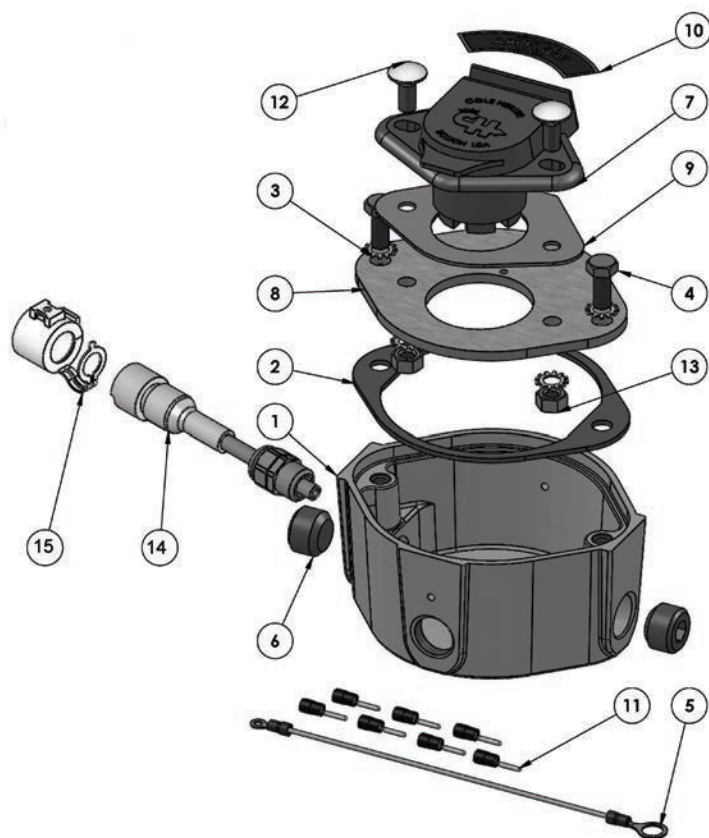


## Plug-n-Play Stand Alone Sockets FT306P



### Bill of Materials

Item #	Description	Part #	FT208P	FT208PPC
1	aluminum housing	<b>10031</b> <i>(was FT9007)</i>	1	n/a
2	neoprene gasket	<b>10138</b> <i>(was FT9032)</i>	1	1
3	stainless steel lock washer	<b>10092</b>	4	4
4	stainless steel screw	<b>10093</b>	2	2
5	wire, assembly, socket	<b>10095</b>	1	1
6	polypropylene pipe plug	<b>10103</b>	2	2
7	J560 type socket	<b>10119</b> <i>(was FT9029)</i>	1	1
8	aluminum face plate	<b>10120</b>	1	1
9	neoprene gasket	<b>10121</b>	1	1
10	aluminum name plate - optic	<b>10235</b>	1	1
11	terminal pin	<b>10123</b>	7	7
12	stainless steel carriage bolt	<b>10507SS</b>	2	2
13	stainless steel nut	<b>10508SS</b>	2	2
14	wiring harness (Plug-n-Play) 20 ft.	<b>10387P-20</b>	1	n/a
15	plastic clip	<b>10605PL</b>	1	n/a

### Repair Kits

Part #	Description	Includes Item #
<b>FT316</b>	face plate assembly- Optic J560 socket	2 - 13

Product instruction sheets and technical data can be viewed on our website at [dixongroupcanada.com](http://dixongroupcanada.com) by selecting the 'Resources' menu.