



The Right Connection®

BOSS LPS

Low Pressure Systems

Products designed specifically for the oil and gas industry

One-Piece Adapters

150# Flange To Weld Adapters

Application:

- used on a 12" pipe manifold to transfer water, brine, water-based chemicals, water-based acids or gelatinous proppant (sand) slurry at hydraulic fracturing sites

Material:

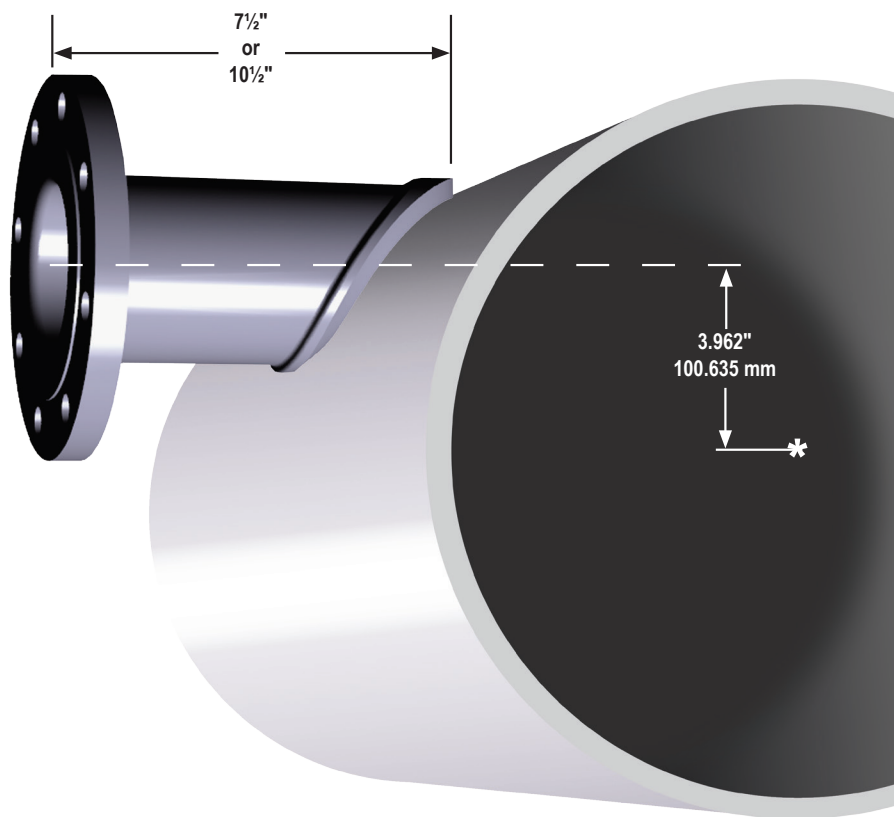
- WCA (weldable cast steel, grade A)

Features:

- no welds or pipe threads to deteriorate
- causing premature leakage
- easy to weld to 12" pipe manifolds
- formed butt weld provides accurate alignment
- 4" 150# flange is compatible with other reliable brands
- 7½" and 10½" lengths standard

Approval:

- WCA meeting ASTM standards

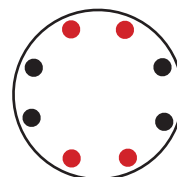


| Size | Description | Holes | Length | Part # |
|------|--------------------------------------|-------|--------|----------------|
| 4" | 150# flange x weld adapter, vertical | 1 | 7½" | WA4FL12X750-1 |
| | 150# flange x weld adapter, offset | 2 | 7½" | WA4FL12X750-2 |
| | 150# flange x weld adapter, vertical | 1 | 10½" | WA4FL12X1050-1 |
| | 150# flange x weld adapter, offset | 2 | 10½" | WA4FL12X1050-2 |

1-Hole Pattern



2-Hole Pattern



- For flange dimensions, diagrams and additional information please reference dixonvalve.com.



4FAMT

125# Flange x Male NPT

Feature:

- no welds or pipe thread to deteriorate to cause premature leakage

| Size | Description | Ductile Iron Part # |
|------|-------------------------------|---------------------|
| 4" | 125# flange x male NPT | 4FAMT |
| | 125# flange x male NPT - long | 4FAMTL |

Port Adapter

Application:

- used with 3-port and 5-port intake manifolds that feed proppant slurry to HHP pumps used in hydraulic fracturing

Features:

- low profile design for tight applications
- female adapter with wrench flats for easy installation



HUF206200MT

| Size | Figure | Description | Iron Part # |
|------|--------|--------------------------------|--------------------|
| 2" | 206 | male NPT x female hammer union | HUF206200MT |

Hammer Union Elbows

Features:

- no welds or pipe threads to deteriorate and cause premature leakage
- 2-piece nut is pinned and bolted for perfect alignment
- Fig. 206 threads are interchangeable with other reliable brands
- easy to weld to 12" pipe manifolds
- O347BU Buna-N O-ring



HUMF20640080

| Size | Figure | Description | Ductile Iron Part # |
|------|--------|---|---------------------|
| 4" | 206 | male hammer union x female hammer union 45° elbow | HUMF20640045 |
| | | male hammer union x female hammer union 60° elbow | HUMF20640060 |
| | | male hammer union x female hammer union 80° elbow | HUMF20640080 |
| | | male hammer union x female hammer union 90° elbow | HUMF20640090 |

- For flange dimensions, diagrams and additional information please reference dixonvalve.com.

Dixon®

800 High Street • Chestertown, MD 21620
 ph: 877.963.4966 • fx: 410-778-4702 • 800-283-4966
dixonvalve.com/bossips

