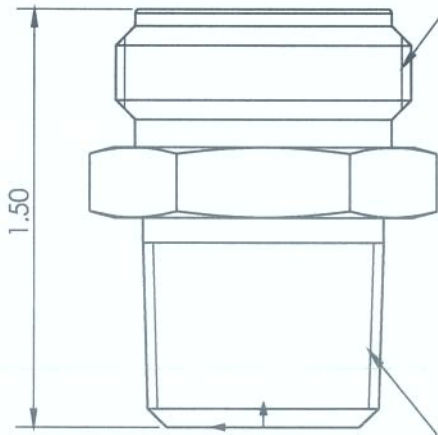
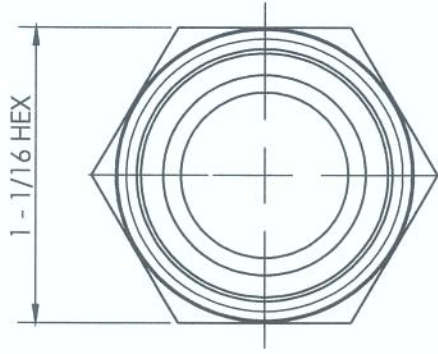
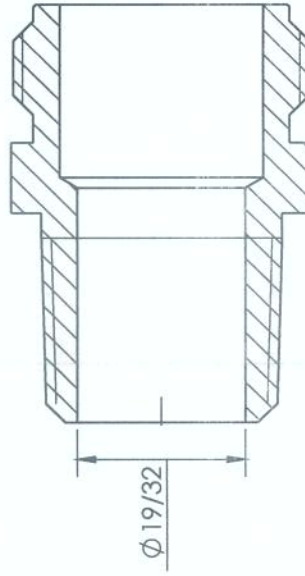


LINE DRAWING NOT FOR PRODUCTION PURPOSES



3/4 - 11 - 1/2 N.H.



MATERIAL 1 - 1/16 HEX ALLOY 360 BRASS

This drawing is owned by Dixon Valves, Coupling Co. and shall be returned upon demand. It is loaned on condition that it shall not be copied or reproduced or submitted to others without the owners consent. In accepting it, subject to this condition, the recipient further agrees that this drawing or any design detail or information contained herein shall remain the property of Dixon Valves, Coupling Co. If the recipient does not agree to the terms of this agreement they shall return this drawing immediately. The information contained in this drawing is subject to change without notice.

 The Right Connection <sup>SM</sup>	DRAWN HENRY B.	DATE 9/26/17
	APPROVED	DATE
ECO NO.		

**Dixon Brass**  
Westmont, Illinois USA

DO NOT SCALE THIS DRAWING		
TITLE: ADAPTER 1/2 NPTF GARDEN HOSE	SIZE A	DWG. NO. 5081208C
		REV A