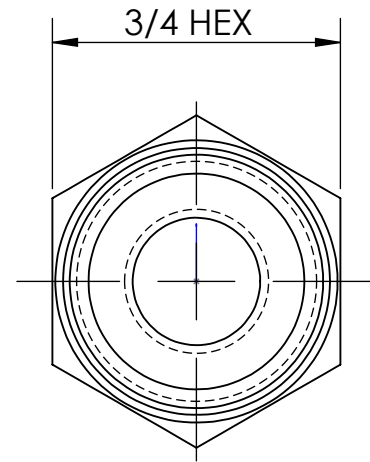
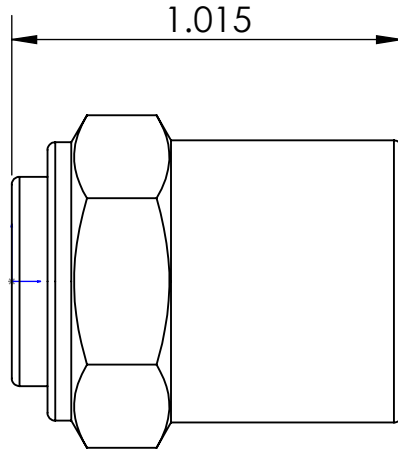
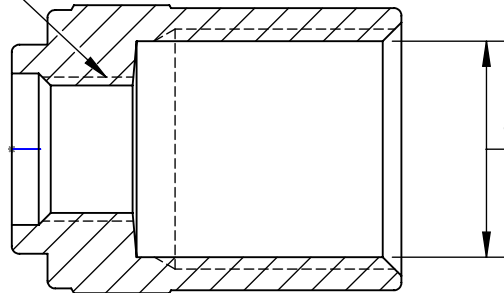


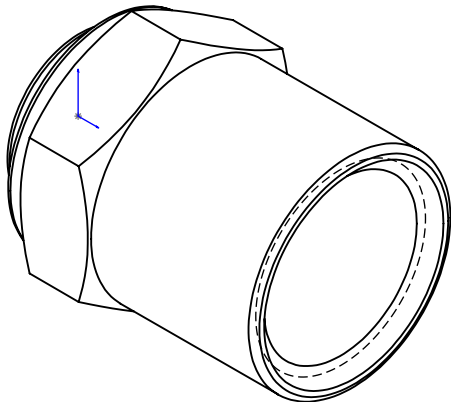
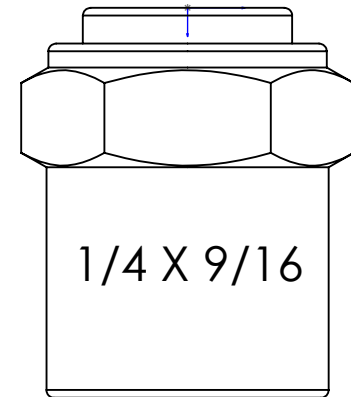
LINE DRAWING NOT FOR PRODUCTION PURPOSES




3/8 - 24 UNF-2B  
HOSE I.D. 1/4



Ø HOSE O.D. 9/16



|   |  |   |                                  |                         |
|---|--|---|----------------------------------|-------------------------|
| THIS DRAWING CONTAINS INFORMATION DEEMED PROPRIETARY TO DIXON BRASS AND IS SO TO BE USED ONLY FOR THE PURPOSE FOR WHICH IT IS SUBMITTED, AND FURTHER, SHALL NOT BE COPIED IN WHOLE OR IN PART WITHOUT EXPRESS WRITTEN PERMISSION FIRST OBTAINED FROM DIXON BRASS. |  |   |                                  |                         |
| UNLESS OTHERWISE SPECIFIED:   |  | <br><b>Dixon Brass</b><br>Westmont, Illinois USA | DRAWN<br>P. MONAGHAN<br>APPROVED | DATE<br>4/16/14<br>DATE |
| DIMENSIONS ARE IN INCHES<br><br>TOLERANCES:<br>ANGLES: ±0°30'<br>.X (±.015)<br>.XX (±.010)<br>.XXX (±.005)<br><br>DIMENSIONS PER ANSI Y14.5   |  |   | ECO NO.                          |                         |
| TITLE:  |  | DRAWING NOT REPRODUCED TO SCALE   |                                  |                         |
| REUSABLE FERRULE  |  | SIZE<br><b>A</b>  | DWG. NO.<br>1800409F             | REV<br>B                |