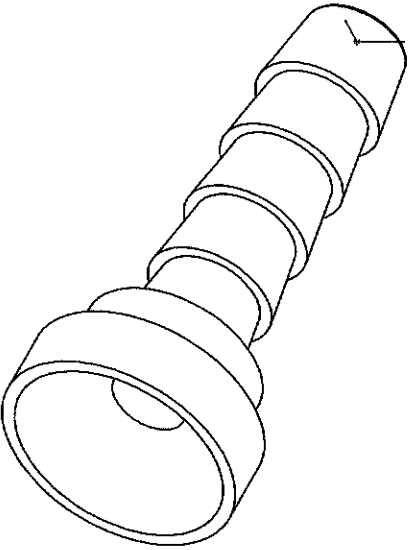
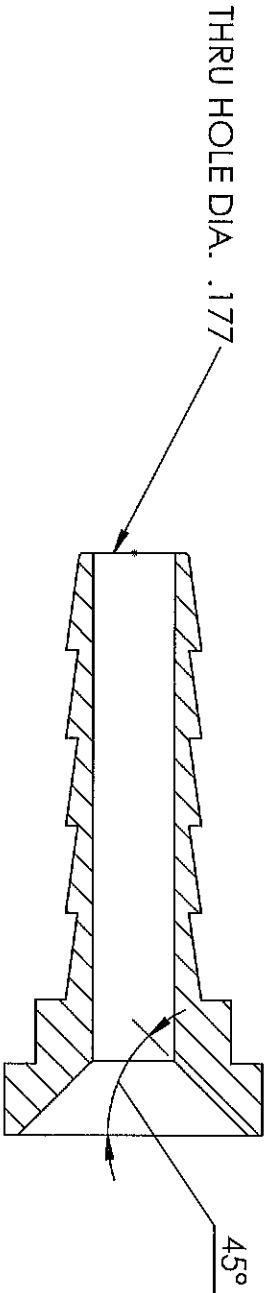
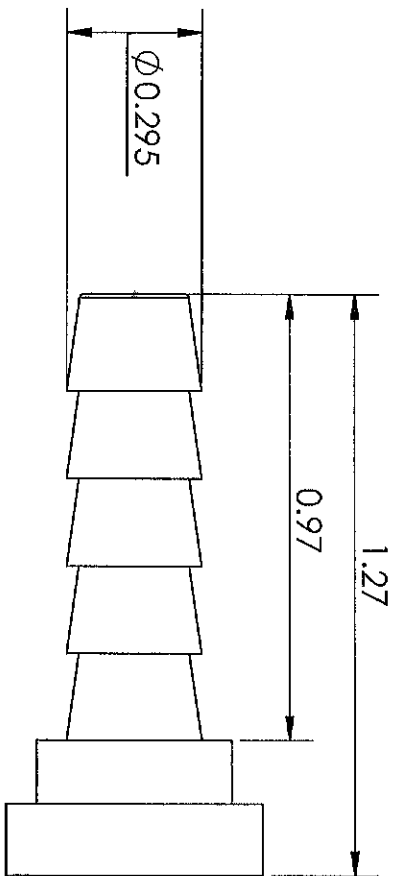


LINE DRAWING NOT FOR PRODUCTION PURPOSES



THIS DRAWING CONTAINS INFORMATION DEEMED PROPRIETARY TO DIXON BRASS AND IS SO TO BE USED ONLY FOR THE PURPOSE FOR WHICH IT IS SUBMITTED, AND FURTHER, SHALL NOT BE COPIED IN WHOLE OR IN PART WITHOUT EXPRESS WRITTEN PERMISSION FIRST OBTAINED FROM DIXON BRASS.

UNLESS OTHERWISE SPECIFIED:

DIMENSIONS ARE IN INCHES

TOLERANCES:

ANGLES: $\pm 0.30^\circ$

.X (± 0.015)

.XX (± 0.010)

.XXX (± 0.005)

DIMENSIONS PER ANSI Y14.5



Dixon Brass
Westmont, Illinois USA

TITLE:

FEMALE SWIVEL STEM
45 DEGREES

DRAWN

P. MONAGHAN

DATE

5/19/14

APPROVED

DATE

ECO NO.

DRAWING NOT REDUCED TO SCALE

SIZE

A

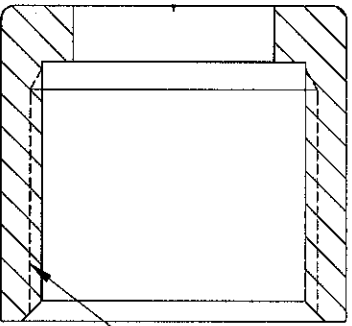
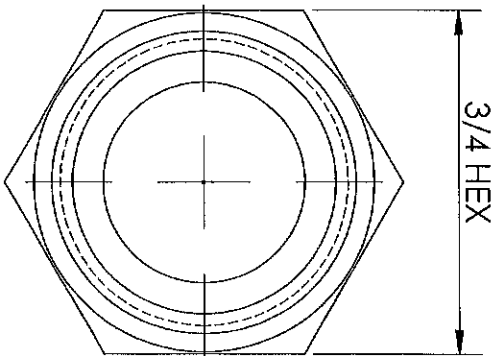
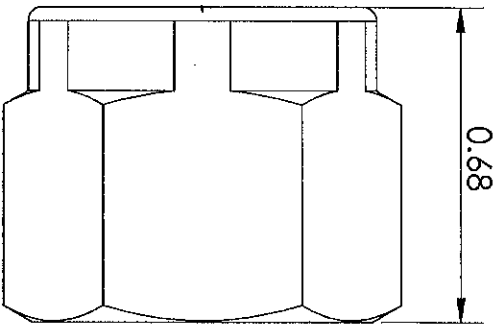
DWG. NO.

1440410S

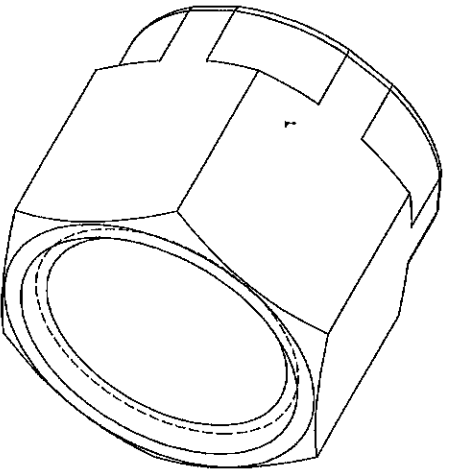
REV

G

LINE DRAWING NOT FOR PRODUCTION PURPOSES



5/8 - 18 UNF-2B
THREAD



THIS DRAWING CONTAINS INFORMATION DEEMED PROPRIETARY TO DIXON BRASS AND IS SO TO BE USED ONLY FOR THE PURPOSE FOR WHICH IT IS SUBMITTED, AND FURTHER, SHALL NOT BE COPIED IN WHOLE OR IN PART WITHOUT EXPRESS WRITTEN PERMISSION FIRST OBTAINED FROM DIXON BRASS.

UNLESS OTHERWISE SPECIFIED:
DIMENSIONS ARE IN INCHES

TOLERANCES:
X (±.015)
XX (±.010)
XXX (±.005)

ANGLES: 30°

DIMENSIONS PER ANSI Y14.5



Dixon Brass
Westmont, Illinois USA

TITLE:

SAE FEMALE SWIVEL NUT

DRAWN	DATE
P. MONAGHAN	5/20/14
APPROVED	DATE
ECO NO.	

SIZE	DWG. NO.	REV
A	1440410N	B

DRAWING NOT REPRODUCED TO SCALE