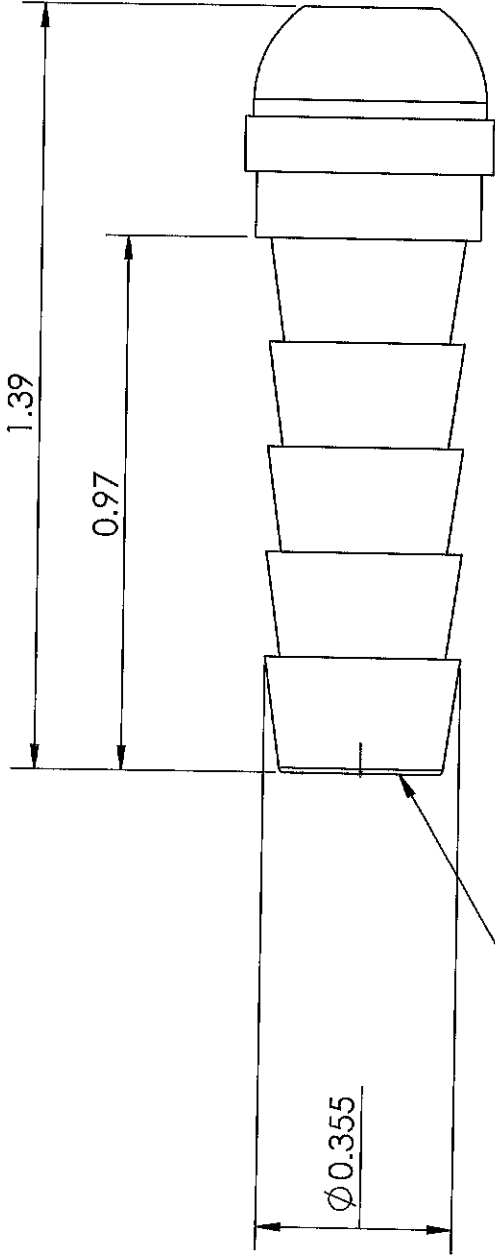
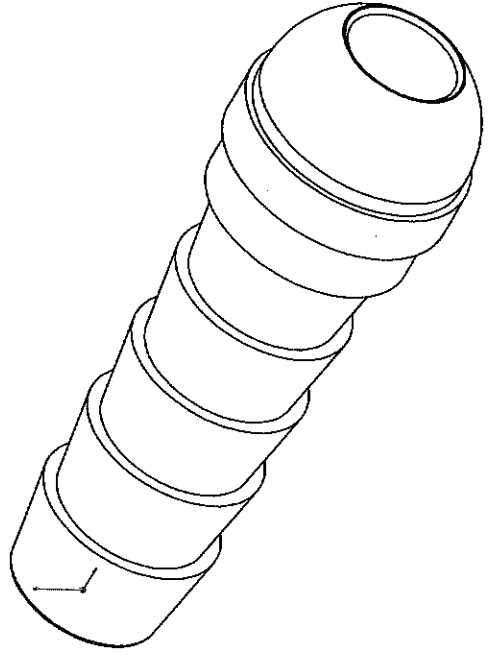


LINE DRAWING NOT FOR PRODUCTION PURPOSES



THRU HOLE DIA. .218



THIS DRAWING CONTAINS INFORMATION DEEMED PROPRIETARY TO DIXON BRASS AND IS TO BE USED ONLY FOR THE PURPOSE FOR WHICH IT IS SUBMITTED, AND FURTHER, SHALL NOT BE COPIED IN WHOLE OR IN PART WITHOUT EXPRESS WRITTEN PERMISSION FIRST OBTAINED FROM DIXON BRASS. UNLESS OTHERWISE SPECIFIED:

DIMENSIONS ARE IN INCHES  
TOLERANCES:  
ANGLES:  $\pm 30^{\circ}$   
X ( $\pm 0.10$ )  
XX ( $\pm 0.10$ )  
XXX ( $\pm .005$ )  
DIMENSIONS PER ANSI Y14.5

**Dixon Brass**  
Westmont, Illinois USA

**ECO**  
The Right Connection™

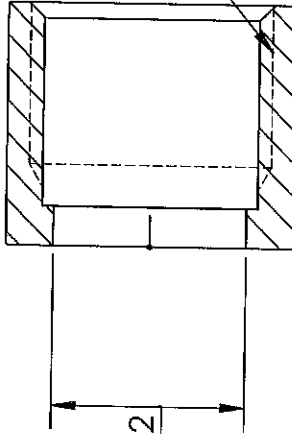
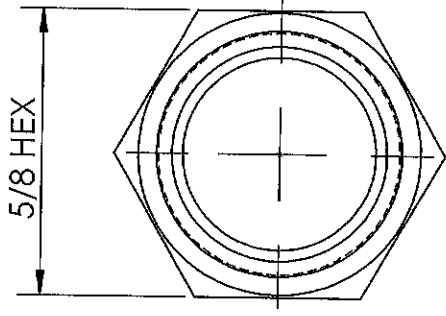
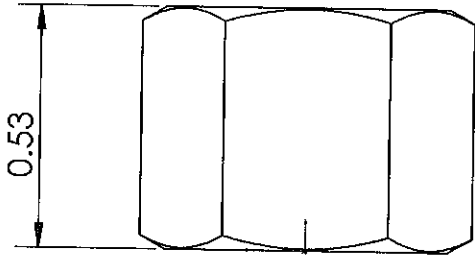
DRAWN	DATE
P. MONAGHAN	2/27/14
APPROVED	DATE
ECO NO.	

TITLE: 5/16 SWIVEL STEM BALL TYPE

SIZE	DWG. NO.	REV
A	1240504S	C

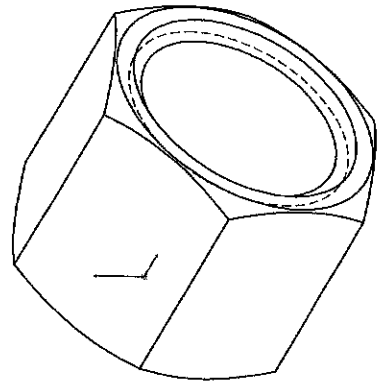
DRAWING NOT REPRODUCED TO SCALE

LINE DRAWING NOT FOR PRODUCTION PURPOSES



(THRU HOLE DIA.)  $\varnothing 0.42$

1/4 - 18 NPSM  
THREAD



THIS DRAWING CONTAINS INFORMATION DEEMED PROPRIETARY TO DIXON BRASS AND IS SO TO BE USED ONLY FOR THE PURPOSE FOR WHICH IT IS SUBMITTED, AND FURTHER, SHALL NOT BE COPIED IN WHOLE OR IN PART WITHOUT EXPRESS WRITTEN PERMISSION FIRST OBTAINED FROM DIXON BRASS, UNLESS OTHERWISE SPECIFIED.



**Dixon Brass**  
Westmont, Illinois USA

DRAWN	DATE
P. MONAGHAN	2/27/14
APPROVED	DATE
ECO NO.	

DIMENSIONS ARE IN INCHES  
TOLERANCES:  
ANGLES: ±0.30°  
H: ±0.010  
XX: ±0.010  
.XXX: ±0.005  
DIMENSIONS PER ANSI Y14.5

**TITLE:** FEMALE SWIVEL NUT  
1/4 - 18 NPSM

SIZE	DWG. NO.	REV
A	1240604N	B

DRAWING NOT REPRODUCED TO SCALE